

Table 3: Housing color and key code

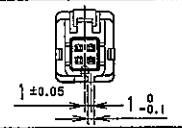
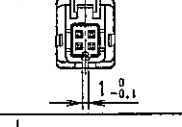
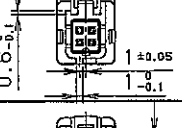
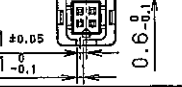
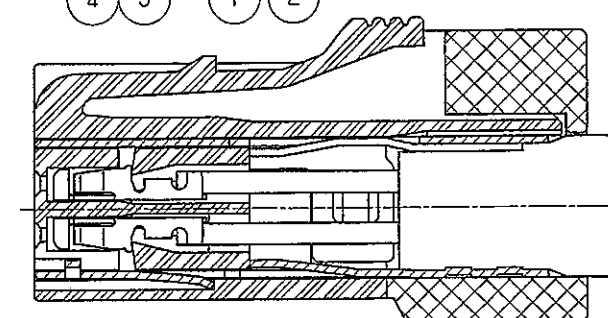
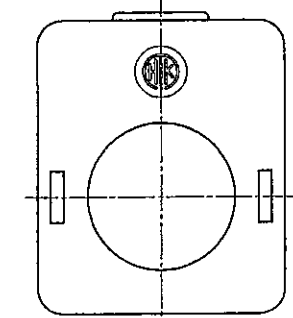
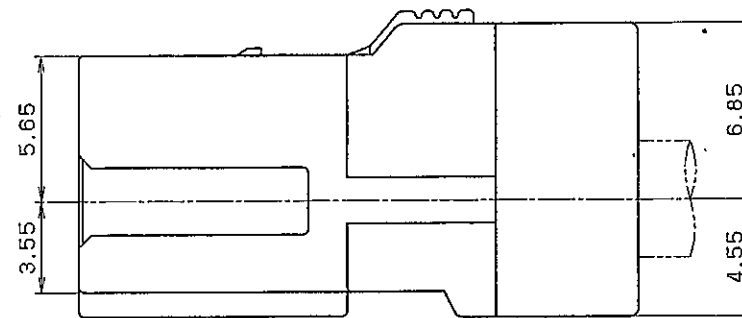
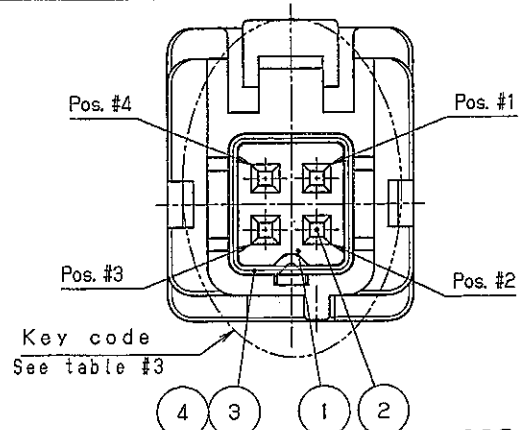
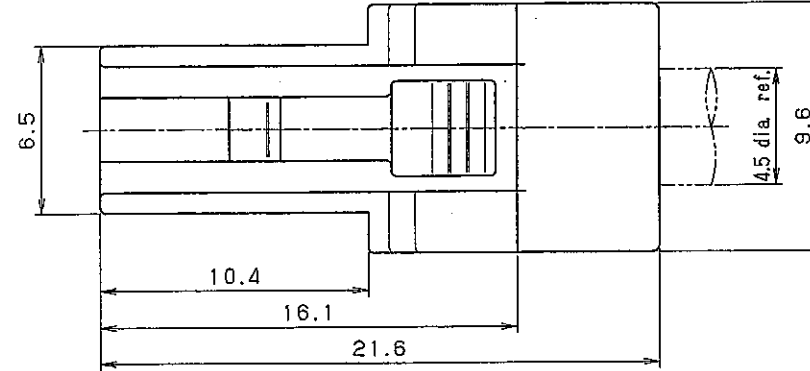
Part no.	Hood A color	Key code	Mating receptacle part no.
TAK-A4SFCGB-AAZ+ VXTAK27168	Black		TAK-A4LMDGB () - A () Z+
TAK-A4SFCGA-BAZ+ VXTAK27271	Blue		TAK-A4LMOGA () - B () Z+
TAK-A4SFCGC-CAZ+ VXTAK27269	Brown		TAK-A4LMDGC () - C () Z+
TAK-A4SFCGG-DAZ+ VXTAK27273	Green		TAK-A4LMDGG () - D () Z+

Table 1

Part no. of contact	Wire size	Insulation dia. max
LPC-F103S	AWG#32	Ø0.6
LPC-F103N	AWG#28~32	Ø1.0
LPC-F103L	AWG#22~26	Ø1.1

VXLPC13852
VXLPC13851

Note. Contact parts described in above table are not included with this product part number.



Contact detail

RoHS compliant

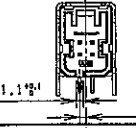
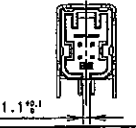
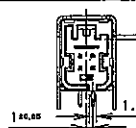
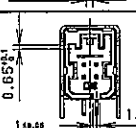
Table 2 Connector pin assignment

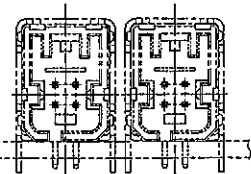
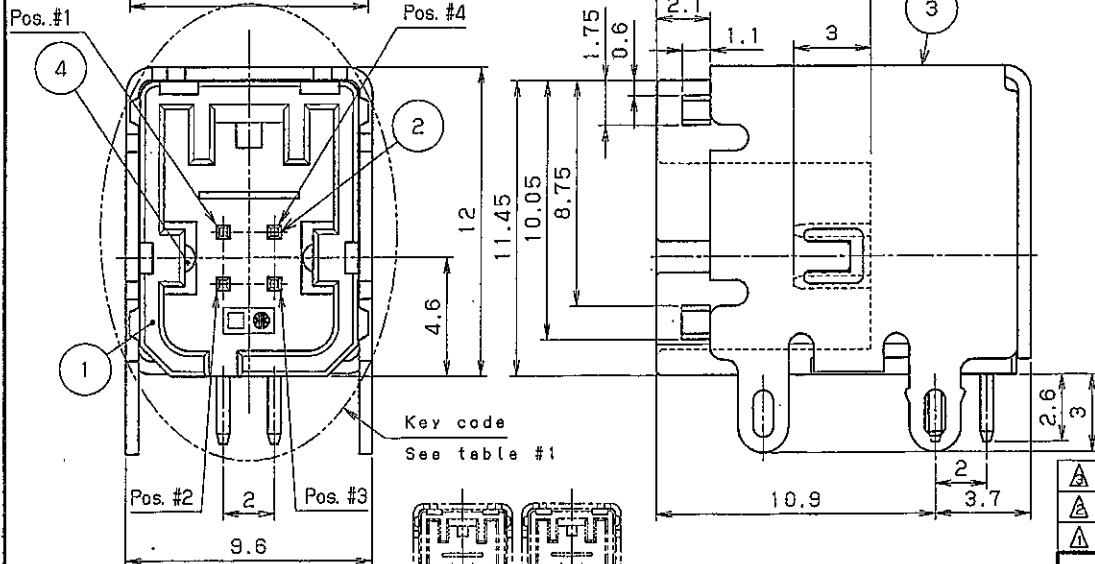
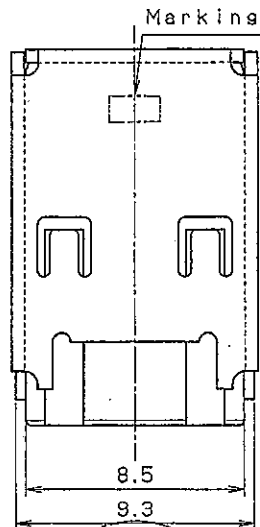
Pos. #	Signal name
1	VBUS
2	D-
3	D+
4	GND

No.	Part Name	Material	Qty	Finish	Note
6	Hood B	PBT	1	Black	
5	Hood A	PBT	1	See Table #3	
4	Shell B	Stainless steel	1		
3	Shell A	Stainless steel	1	Nickel plating	
2	Contact	Copper alloy	4	Gold plating	See Table #1
1	Housing	PBT	1	Black	

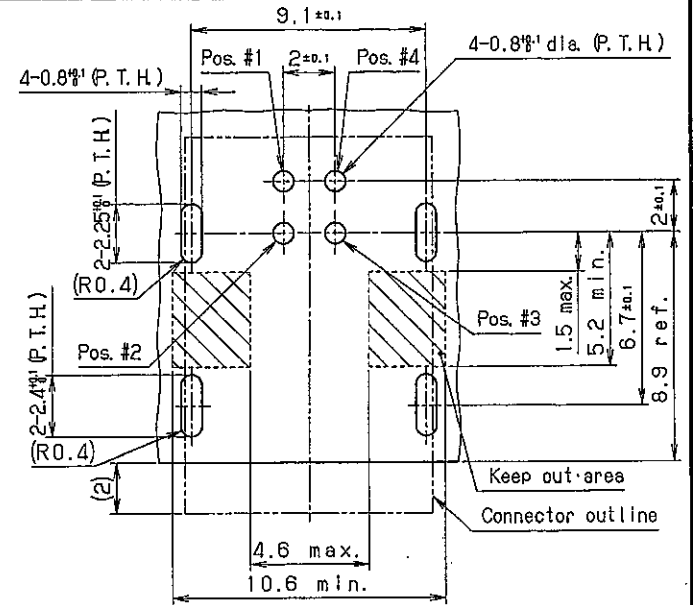
LTR.	DATE	BY	REV.	DESCRPT	No.	PART NAME	MATERIAL	QTY	FINISH	NOTE
年月日	DATE	氏名	REV.	内容	番号	部品名	材質	数量	処理	備考
5/1	5/1		5/1							
HTK						本多通信工業株式会社				
HONDA						HONDA TSUSHIN KOGYO CO., LTD.				
DR.						名 称				
CHK.						4 pos. female connector for application-USB				
CHK.						製 番				
APP.						PART NO. TAK-A4SFCG () - () AZ+				
						REV.				

Table 1: Housing color and key code

Part no.	Insulator color	Key code	Mating plug part no.
TAK-A4LMDG8A-AFZ+ VXTAK27167	Black		TAK-A4SFCGB-AAZ+ VXTAK27168
TAK-A4LMDGAA-BFZ+ VXTAK27268	Blue		TAK-A4SFCGA-BAZ+ VXTAK27271
TAK-A4LMDGCA-CFZ+ VXTAK27272	Brown		TAK-A4SFCGC-CAZ+ VXTAK27269
TAK-A4LMDGGA-DFZ+ VXTAK27270	Green		TAK-A4SFCGG-DAZ+ VXTAK27273

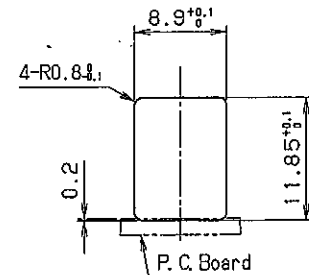


Recommended connector arrangement



Recommended P.C.B layout

P.C.B thickness: 1.2mm~1.6mm
(Connector side)



Panel opening size
(Recommended panel thickness: 1.0mm)

4	Ground contact	Stainless steel	1	Nickel plating	---
3	Shell	Steel	1	Nickel plating	---
2	Contact	Copper alloy	4	Gold plating	---
1	Insulator	PBT	1	---	---

LTR.	DATE	BY	REV.	DESCRPT	No.	PART NAME	MATERIAL	QTY	FINISH	NOTE
	DATE			SCALE		UNIT				
	Jun.28.2013			5/1		mm (INCH)				
	APP. DATE & REV.									
	DR.	DE.	CHK.	CHK.	APP.	NAME	4 pos. board receptacle connector (RoHS)			
	PART NO.						TAK-A4LMDG()A-()FZ+			REV.

RoHS compliant